

MusicParts.Com

Technical Document Distribution

Brand:	Binson
Model	P.A.602 (PA602)
Product:	Pre-Mixer
Description:	Schematic

Musicparts Document Number: 47288 TechTips: No Pages: 2 Dated: 1975

Hello,

Welcome to MusicParts.Com, Inc. your online resource for technical documents and service information. This PDF package may contain information, schematics, parts lists, images, engineering changes, previous versions, circuit descriptions, and many other unique features about the product you have chosen. This document was assembled from a variety of sources and is the result of our many years in the music repair business.

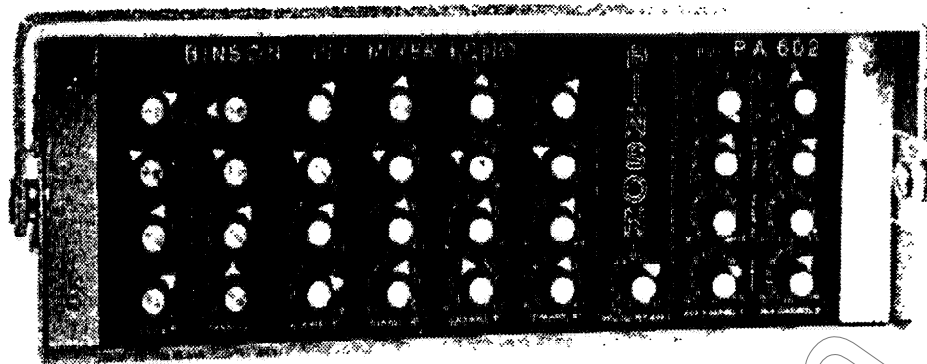
NOTE: Large original over-sized drawings will need to be taped together. We feel this is better than reducing them and losing the fine details.

VIEWING: This document is utilizing PAGE-ON-DEMAND downloading. This will let you navigate to any page without waiting for the entire file to download. Just click ON the thumbnails.

PRINTING: Very Important!

When the print dialog appears, please make sure "**REDUCE TO PAPER SIZE**" OR "**SHRINK OVERSIZED PAGES**" is checked, otherwise you may cut off the edge of the page. This will compensate for your printer's margins and produce a great looking printout. Also please stay online while printing this document to make sure you get all the pages.

Visit us on the web at: <http://www.musicparts.com/>
Email us at: customerservice@musicparts.com

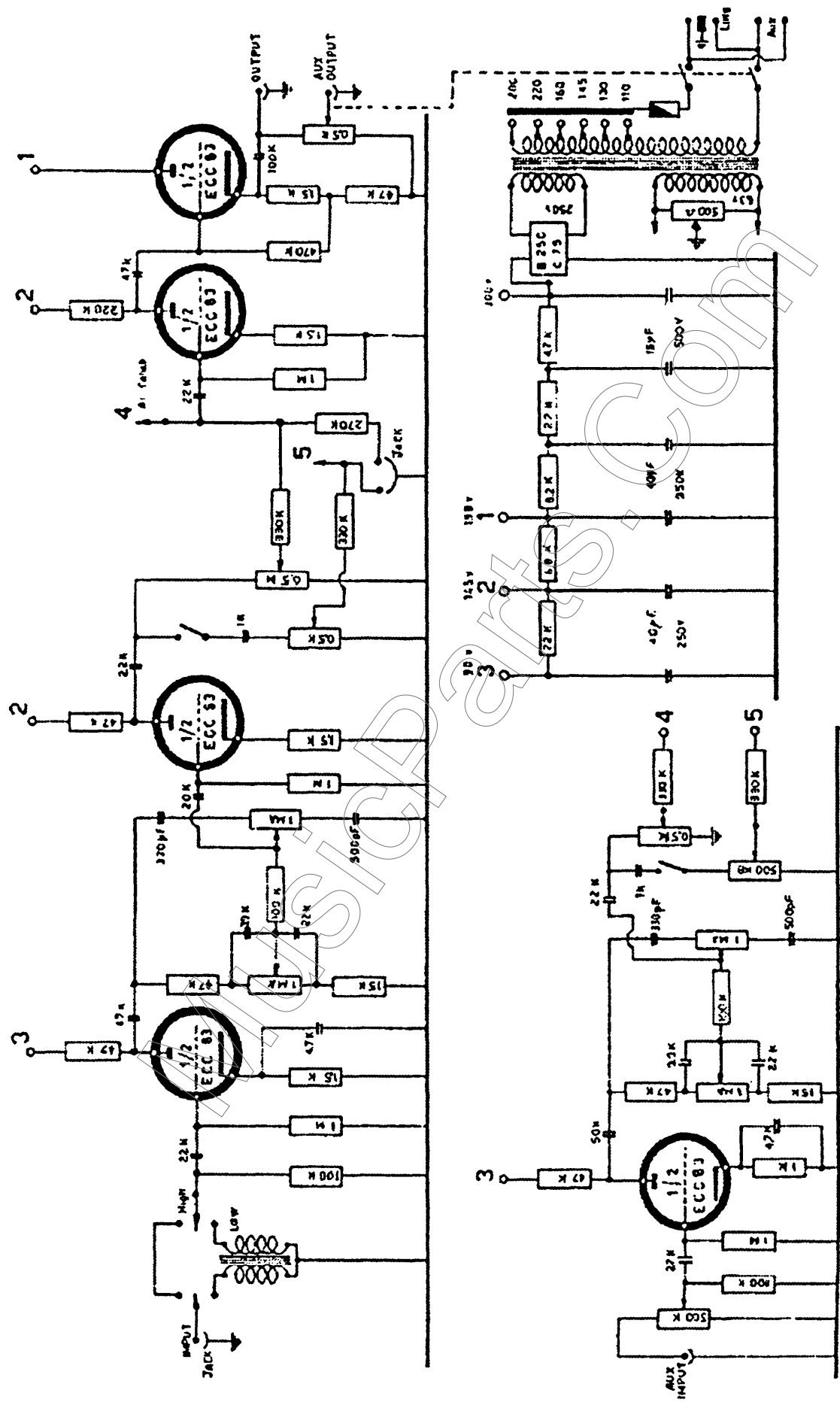


P.A. 602 PREMIXER WITH 6 CHANNELS AND 2 AUXILIARY CHANNELS

Mixable input preamplifier with high and low tone and volume controls – Control switch on every channel which enables control of the output effects of the Echorec – The instrument enables the microphone to be connected without the help of an external transformer, which eliminates the possibility of hum – All types of microphones found in the trade can be used, be they high or low impedance, because of the separate input, equipped with a device which allows adjustment of the impedance from 50 k Ω to 200 k Ω .

Technical features: Main switch with auxiliary power socket – two output sockets for connection to the main amplifier, of which one is direct and the other goes through a regulator – Voltage selector from 110 to 240 V, 50-60 Hz, with built-in fuse protection – internal current input with silicon rectifiers – 6 50 k Ω 10 mV or 200 Ω inputs plus 2 auxiliary 0.25V 50 k Ω inputs – 8 multi-purpose valves.

Dimensions: 43 x 29 x 15 cm – Weight: 12 kg.



Circ. Elet. 1-75

Wiring diagram of the P. A. 602 Premixer
1 Microphone channel – 1 auxiliary channel